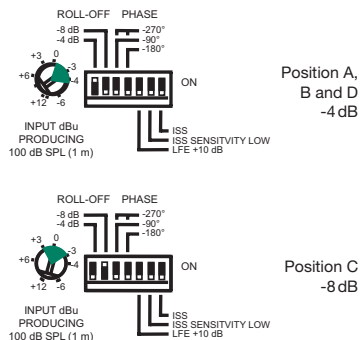


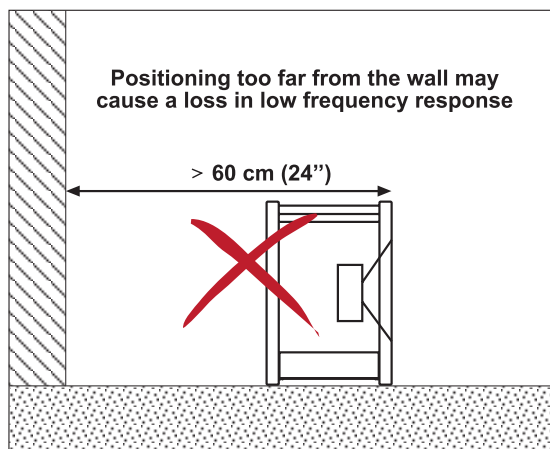
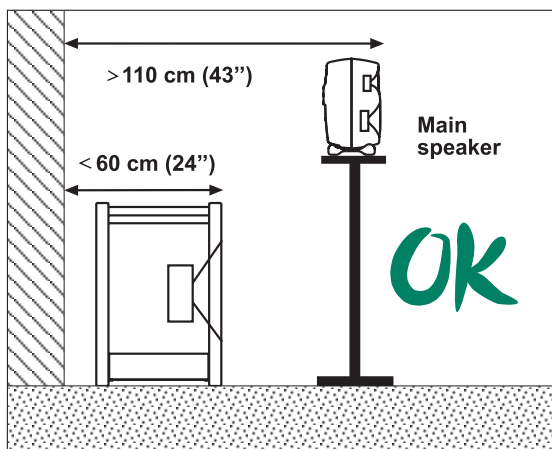
Note:

- 1) Positions A and B are recommended.
- 2) Position C causes a significant bass boost and may cause asymmetrical spatial imaging if one subwoofer is used.
- 3) Positions C and D may also work, but may cause loss of LF when off room center axis.

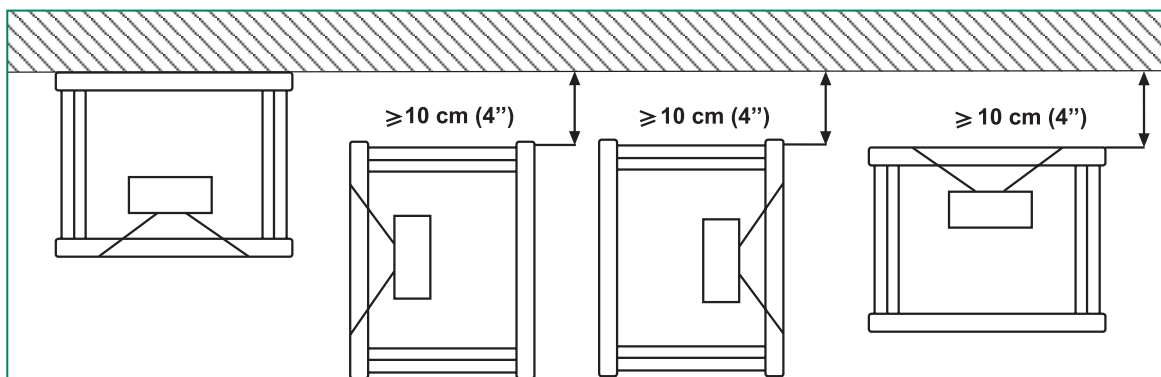
Suggested Tone Control Settings



Subwoofer Placement



Distance from Front Wall



Aligning the Subwoofer

