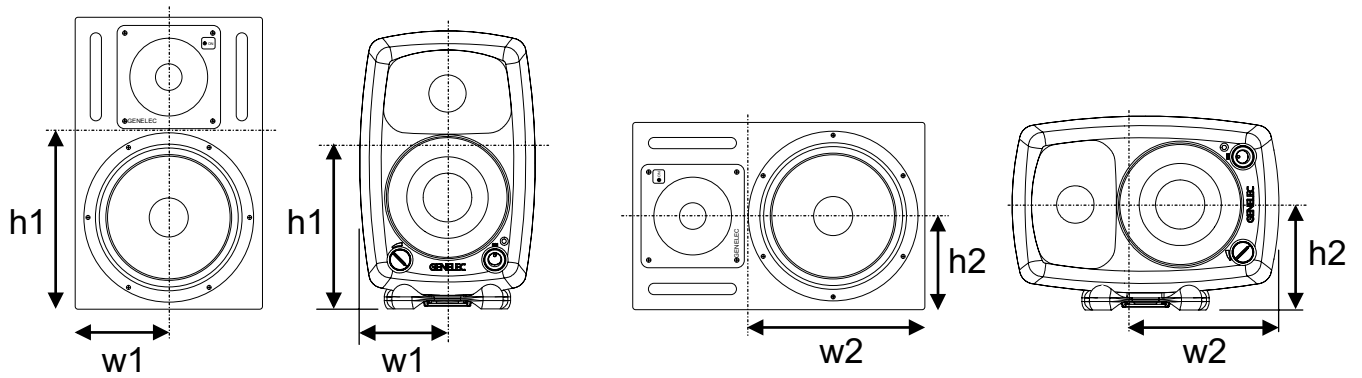
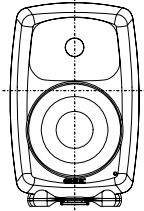
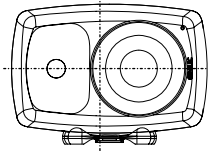
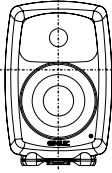
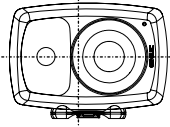
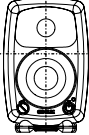
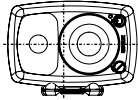
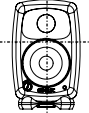
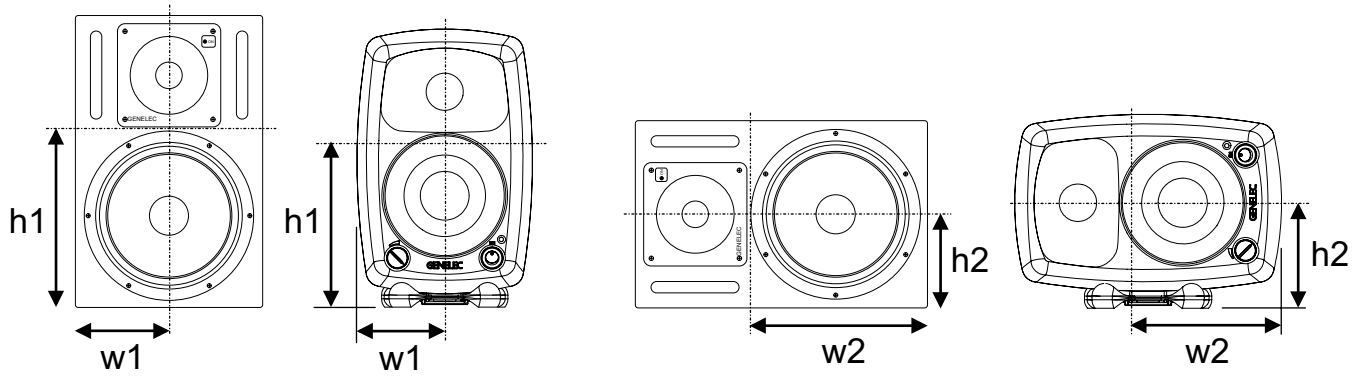


ACOUSTIC AXIS LOCATION - TABLE 1



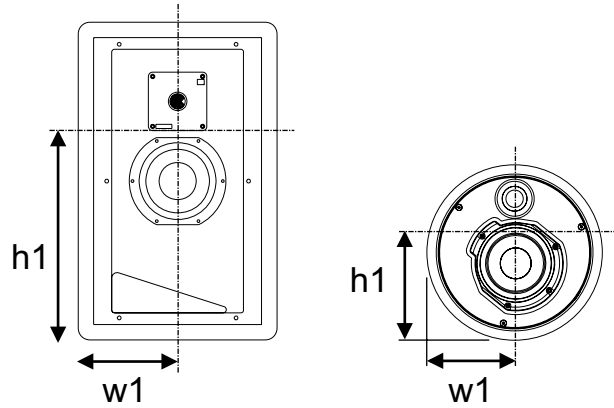
MODEL	VERTICAL MOUNTING	h1	w1	HORIZONTAL MOUNTING	h2	w2
8050A		290 mm 11 7/16"	143 mm 5 10/16"		168 mm 6 10/16"	271 mm 10 11/16"
8040A		240 mm 9 7/16"	119 mm 4 11/16"		139 mm 5 15/32"	225 mm 8 7/8"
8030A		190 mm 7 1/2"	95 mm 3 3/4"		116 mm 4 9/16"	176 mm 6 30/32"
8020A		146 mm 5 3/4"	75 mm 2 15/16"	Horizontal mounting of the 8020A is not recommended		

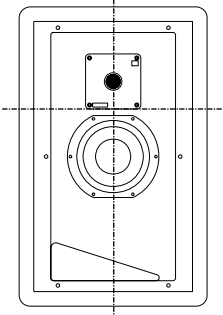
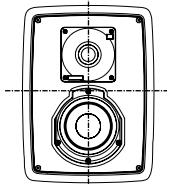
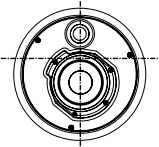
ACOUSTIC AXIS LOCATION - TABLE 2



MODEL	VERTICAL MOUNTING	h1	w1	HORIZONTAL MOUNTING	h2	w2
HT210B		290 mm 11 7/16"	160 mm 6 5/16"		160 mm 6 5/16"	290 mm 11 7/16"
HT208B		235 mm 9 1/4"	125 mm 5"		125 mm 5"	235 mm 9 1/4"
HT206B		200 mm 7 7/8"	100 mm 3 15/16"		100 mm 3 15/16"	200 mm 7 7/8"
6020A		146 mm 5 3/4"	75 mm 2 15/16"	Horizontal mounting of the 6020A is not recommended		
6010A		120 mm 4 12/16"	60 mm 2 3/8"	Horizontal mounting of the 6010A is not recommended		

ACOUSTIC AXIS LOCATION - TABLE 3



MODEL	VERTICAL MOUNTING	h1	w1
AIW26		394 mm 15 1/2"	187 mm 7 12/16"
AIW25		188 mm 7 13/32"	134 mm 5 9/32"
AIC25		177 mm 6 31/32"	142 mm 5 10/16"