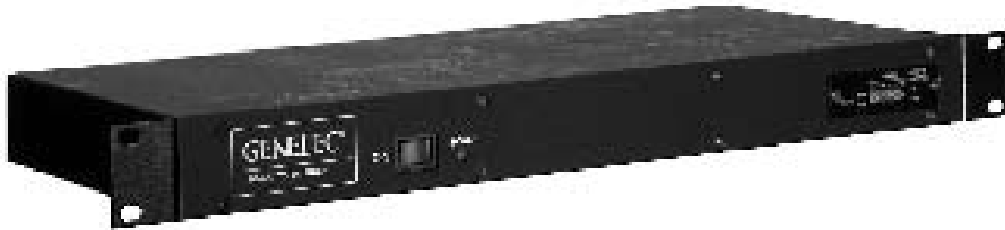


GENELEC®



System

Genelec DI8A Active Balancer converts an unbalanced line signal to a balanced line signal, thereby reducing its susceptibility to electronic interference. It is the perfect complement for an unbalanced signal source output and either Genelec's Active Home Theatre Systems or Professional Audio Monitors.

The DI8A is designed to be installed in an equipment rack or on a shelf near the signal source, such as a Surround Sound processor or preamplifier. This ensures that the unbalanced lines are as short as possible, thereby minimising noise pickup.

The long cable runs from the equipment rack to the loudspeakers are then made with balanced cables and XLR connectors further ensuring that noise pickup is minimised.

Genelec DI8A Active Balancer has eight independent signal channels. One of the channels has duplicated outputs, providing easy connection for twin subwoofers in large systems. All signal input connectors are gold-plated RCA's, and professional quality XLR's are used for the output channels.

The DI8A also has the provision for remote power ON / STANDBY switching, by either a 12 V DC trigger or switch/relay

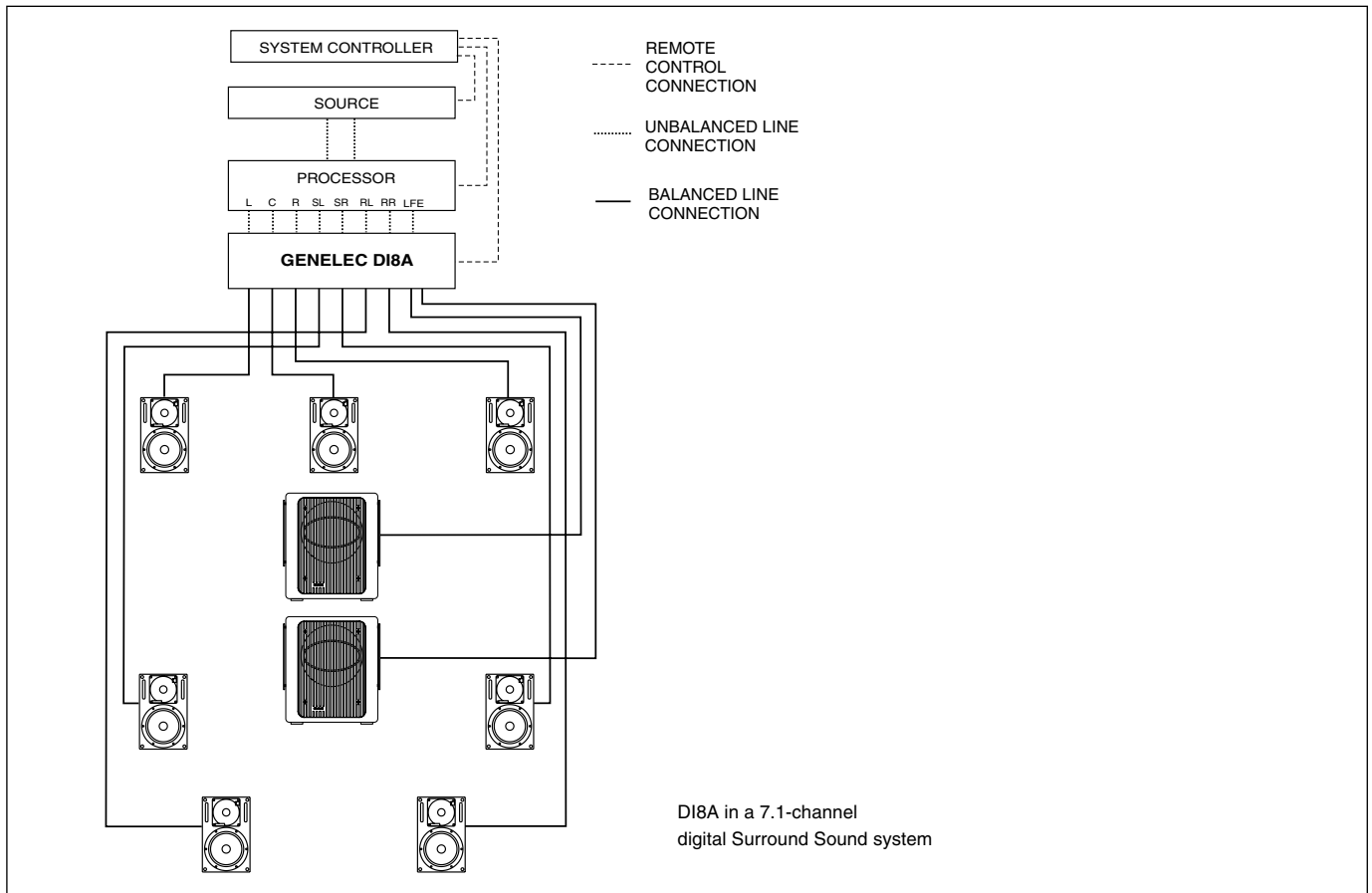
which can be connected to the remote control inputs on the back panel of the DI8A. This provides easy integration to remote-controlled equipment combinations. The DI8A is equipped with a muting circuit to reduce noises caused by switching the unit on or off. Gain adjustment switches allow the gain of each channel to be increased by +6 dB, if the output level of the decoder, or other signal source is found insufficient. There is also a cover provided for these switches to ensure that the settings are not altered accidentally.

Two rack ears are included in the kit for easy assembly of the DI8A into a standard 19 inch equipment rack.

DI8A Data Sheet

SYSTEM SPECIFICATIONS

	DI8A
Frequency response:	+/- 0.5 dB 20 Hz-60 kHz +/- 1.5 dB 18 Hz-120 kHz
Dynamic Range: Maximum input signal:	128 dB 8V rms
Noise: THD+noise: Crosstalk: Gain:	< -110 dBu < 0.002% (@ 20 Hz-20 kHz, 0 dBu) < -95 dB 0 dB/+6 dB (user selectable)
Input impedance: Minimum load impedance: Maximum load capacitance:	10k ohms (minimum) 10k ohms 30 nF
Mains voltage: Maximum power consumption: Maximum ambient temperature:	230/115 V 10 W 35°C (95°F)
Weight:	4 kg (8,8 lbs)
Dimensions Height: Width (rack ears not included): Depth:	43 mm (1 ⁷ / ₁₆ ") 423 mm (16 ¹⁹ / ₁₆ ") 204 mm (8")



Genelec Document BBA0031001b. Copyright Genelec Oy 1.2006. All data subject to change without prior notice

www.genelec.com

GENELEC®

International enquiries:
Genelec, Oivitie 5
FIN-74100, Iisalmi, Finland
Phone +358 17 83881
Fax +358 17 812 267
Email genelec@genelec.com

In the U.S. please contact:
Genelec, Inc., 7 Tech Circle
Natick, MA 01760, U.S.A.
Phone +1 508 652 0900
Fax +1 508 652 0909
Email genelec.usa@genelec.com

In China please contact:
Beijing Genelec Audio Co. Ltd.
Jianwai SOHO, Tower 12, Room 2306
39 East 3rd Ring Road
Chaoyang District, Beijing 100022, China
Phone +86 0 5869 7915
Fax +86 10 5869 7914

In Sweden please contact:
Genelec Sverige
Box 5521, S-141 05 Huddinge
Phone +46 8 449 5220
Fax +46 8 708 7071
Email info@genelec.com